



# CRST78

Dimensions:15.7X12.3X14mm

Features							
1, Small Size and light weight.      2, Low coil consumption							
3, PC Board mounting.							
4, Suitable for household electrical appliances,automation system, electronic equipment,instrument,meter,telecommunication facilities and remote control facilities.							
Ordering information							
<u>CRST 78--C-S-DC12V--H</u>							
1	2	3	4	5			
1,Part number: CRST78                      2, Contact arrangement:A:1A;B:1B;C:1C;U:1U							
3,Enclosure: S:Sealed type; Z:Dust cover							
4,Coil rated voltage(V):DC:6,9,12,24      5,Coil power consumption: Nil:0.6W; H: 0.8W							
Contact data							
Contact Arrangement		1A(1H)(SPST NO);1B(SPST NC);1C(1Z)(SPDT);1U					
Contact Material		AgSnO <sub>2</sub> , AgCdO					
Conatct Rating(Resistive)		5A/250VAC    20A/14VDC					
		Motor load:1/2HP 125VAC					
		Lamp load :TV-5					
Max.Switching Power		280W    1250AV					
Max.Switching Voltage		42VDC    380VAC      Max.Switching Current:20A					
Contact Resistance or Voltage Drop		≤ 50m Ω					
Operation Life		Electrical			10 <sup>5</sup>		
		Mechanical			10 <sup>7</sup>		
Coil Parameter							
Coil voltage (VDC)		Coil Resistance Ω ± 10%	Pick up Voltage VDC(Max) (75% of rated voltage)	Release voltage VDC(Min) (10% of rated voltage)	Coil power consumption (W)	Operate Time (mS)	Release Time (mS)
Rated	Max						
6	6.6	60	4.5	0.60	0.6	≤ 10	≤ 5
9	9.9	135	6.75	0.09			
12	13.2	240	9.0	1.20			
24	26.4	960	18.0	2.40			
48	52.8	3840	36.0	4.80			
6	6.6	45	4.5	0.60	0.8	≤ 10	≤ 5
9	9.9	102	6.75	0.90			
12	13.2	180	9.0	1.20			
24	26.4	720	18.0	2.40			

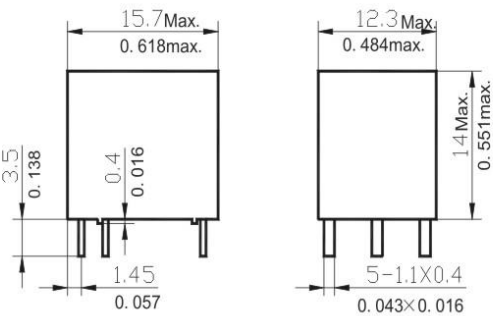
Caution:1,The use of any coil voltage less than the rated coil voltage will compromise the operation of the relay.

2,Pick up and release voltage are for test purposes only and are not be used as design criteria.

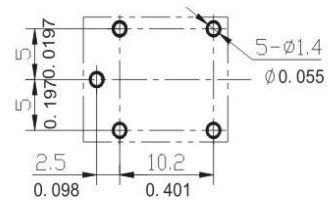
**Operation condition**

Insulation Resistance	100M Ω min(at 500VDC)
Dielectric Strength	
Between Contacts	50Hz 500V
Between Contacts and Coil	50Hz 500V
Shock Resistance	100m/s <sup>2</sup> 11ms
Vibration Resistance	10~55Hz 双振幅 Double amplitude 1.5mm
Terminals Strength	10N
Solderability	235±2℃ 3±0.5s℃
Ambient Temperature	-40~85℃
Relative Humidity	85%(at 20℃)
Mass	6g

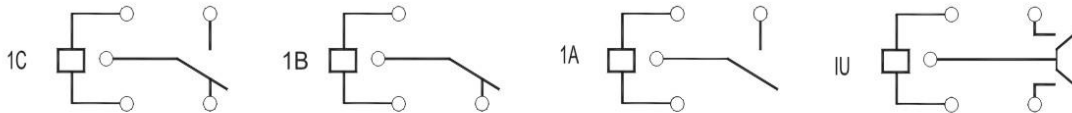
**Dimensions(mm/Inch)**



外形尺寸图  
Dimensions



安装尺寸图 (底视图)  
Mounting (Bottom view)



接线图 (底视图)  
Wiring diagram (Bottom view)

注: 1) 尺寸以毫米为单位。  
NOTES Dimensions are in millimeters.

2) 给出的等量英寸值仅供参考。  
Inch equivalents are given for general information only

**参考数据 Reference Data**

